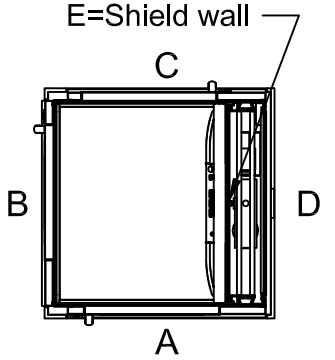


\*To be adapted on site  
\*\*Customized panel

Options  
Frekv 1x230/240V 50-60Hz 16 A Soft  
Capacity: 400,00 kg

Positioning of machinery:



Approved by  
builder:

European view placement:

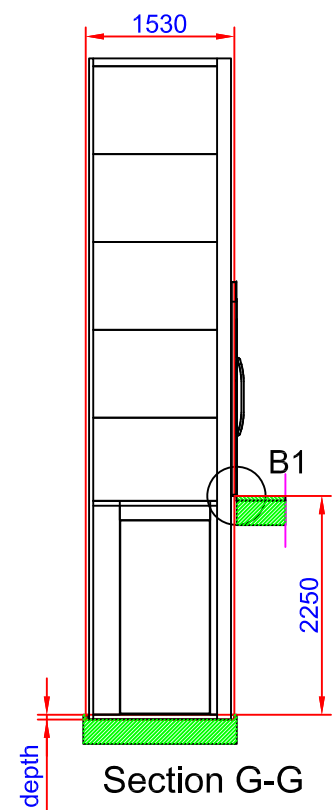
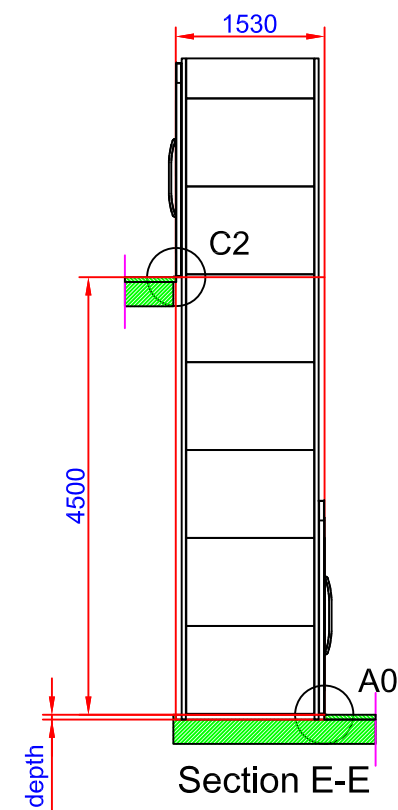
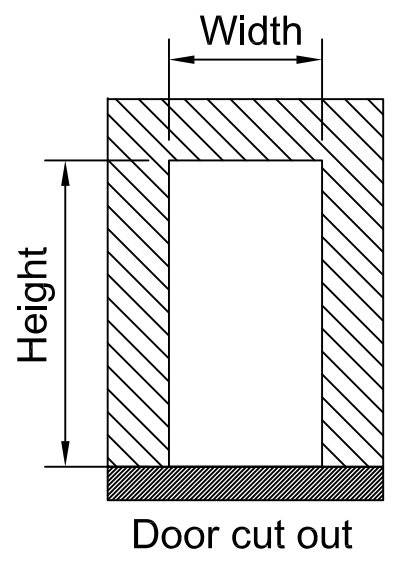


Tender no	<b>Principal drawing</b>		
Order no	A5000 - 1100*1367		
	Shaft drawing		
Gen. Tolerances	Date	sheet	Scale:
SS-ISO 27681-1 m	2018-11-01	1 of 7	A3, 1:60

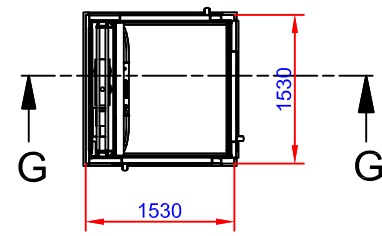
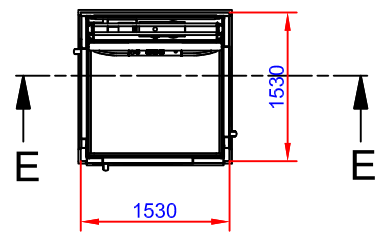
# Shaft cutout sizes

Lift unit installed within a shaft by others

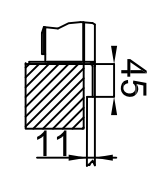
Door front cutout sizes		
Landing	Width	Height
A 0	1530	2250
B 1	1530	2250
C 2	1530	2250



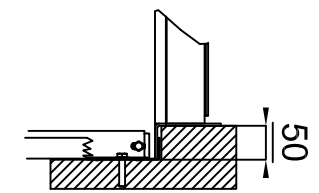
50 mm pit depth + 10 mm, - 0 mm.  
Bottom surface must be flat



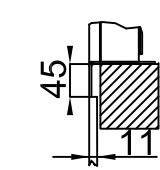
C2 (1:10)



A0 (1:10)



B1 (1:10)




Approved by builder:  
\_\_\_\_\_

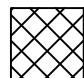
European view placement:

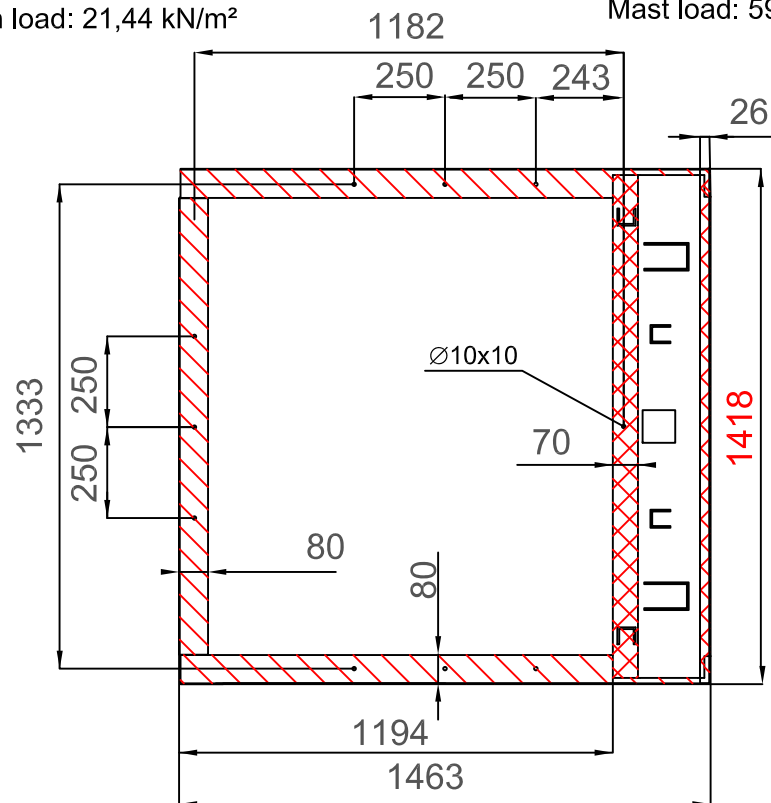


Tender no	Principal drawing A5000 - 1100*1367 Cut out sizes		
Order no			
Gen. Tolerances SS-ISO 27681-1 m	Date 2018-11-01	sheet 2 of 7	Scale: A3, 1:60

Loads sustained by shaft and platform  
and fixing points bottom frame

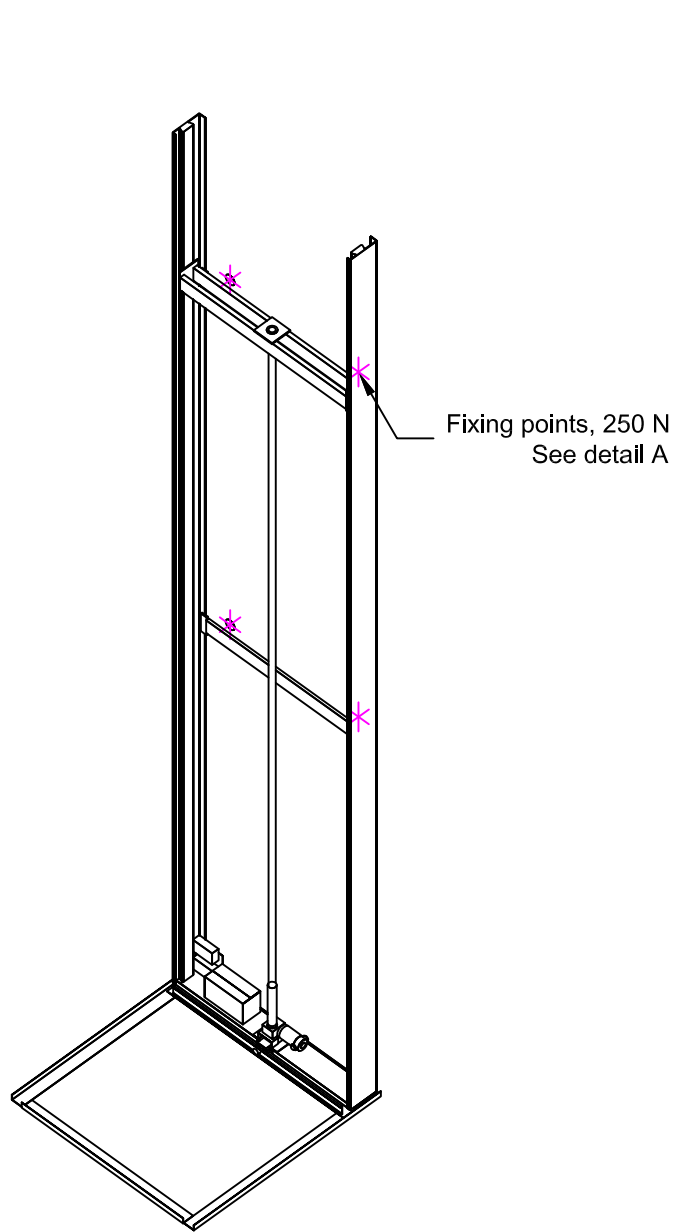
 L section force: 6,54 kN  
L section load: 21,44 kN/m<sup>2</sup>

 Mast force: 7,32 kN  
Mast load: 59,03 kN/m<sup>2</sup>

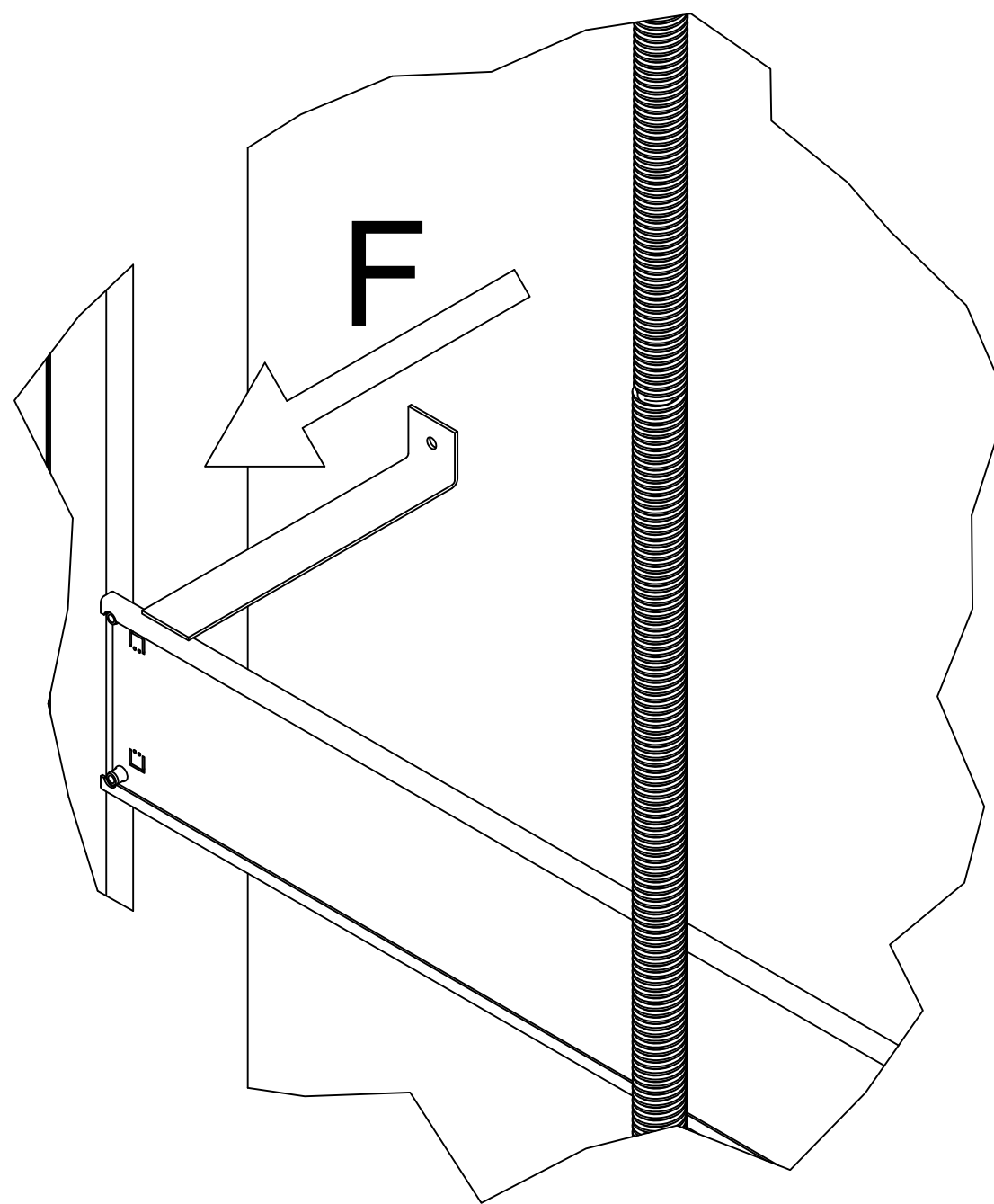


Scale: 1:20

Recommended positioning of fixing points.  
Loads per fixing point, F=250 N




**A (1:5)**



Approved by  
builder:

\_\_\_\_\_

European view placement: 



Tender no

Order no

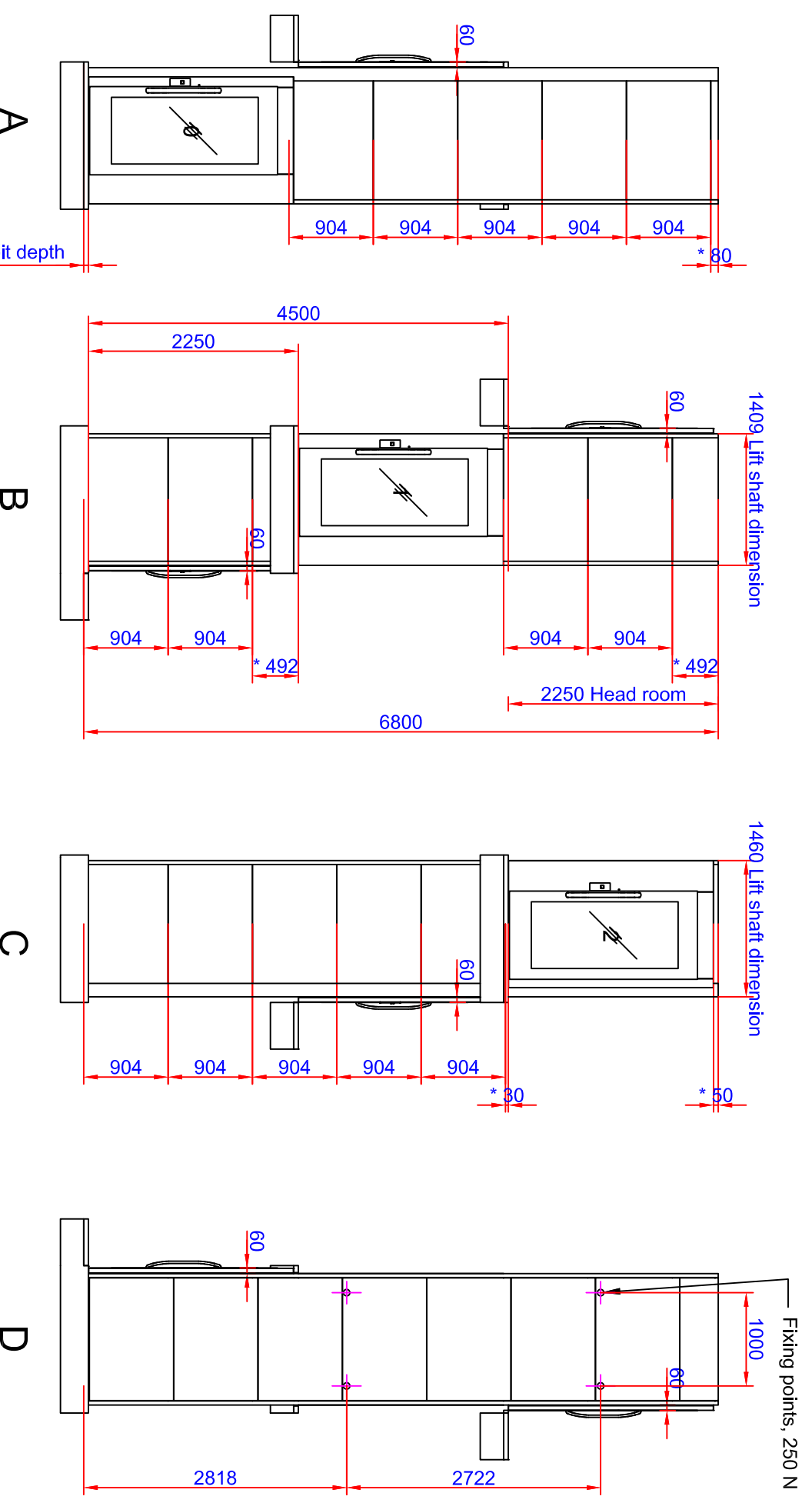
Gen. Tolerances  
SS-ISO 27681-1 m

**Principal drawing**  
A5000 - 1100\*1367  
Loads and forces

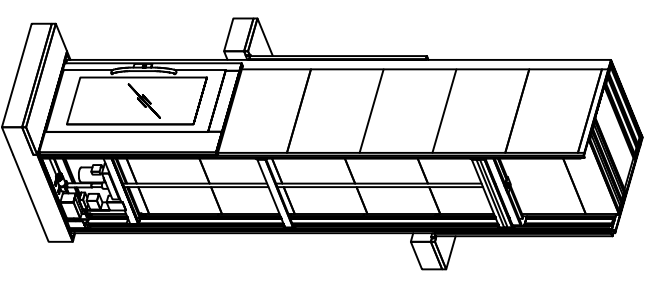
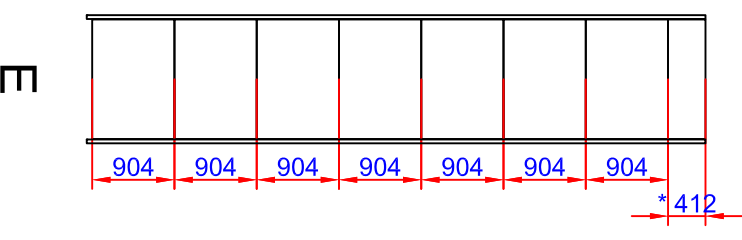
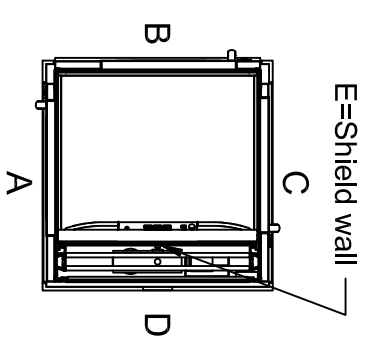
Date  
2018-11-01

sheet  
3 of 7

Scale:  
A3, 1:60



**Positioning of machinery:**



**Options**  
 Frekv 1x230/240V/ 50-60Hz 16 A Soft  
 Capacity: 400,00 kg

\*To be adapted on site  
 \*\*Customized panel

Approved by  
 builder:

European view placement:



Tender no

Order no

**Principal drawing**  
 A5000 - 1100\*1367  
 Shaft drawing

Gen. Tolerances  
 SS-ISO 27681-1 m

Date  
 2018-11-01

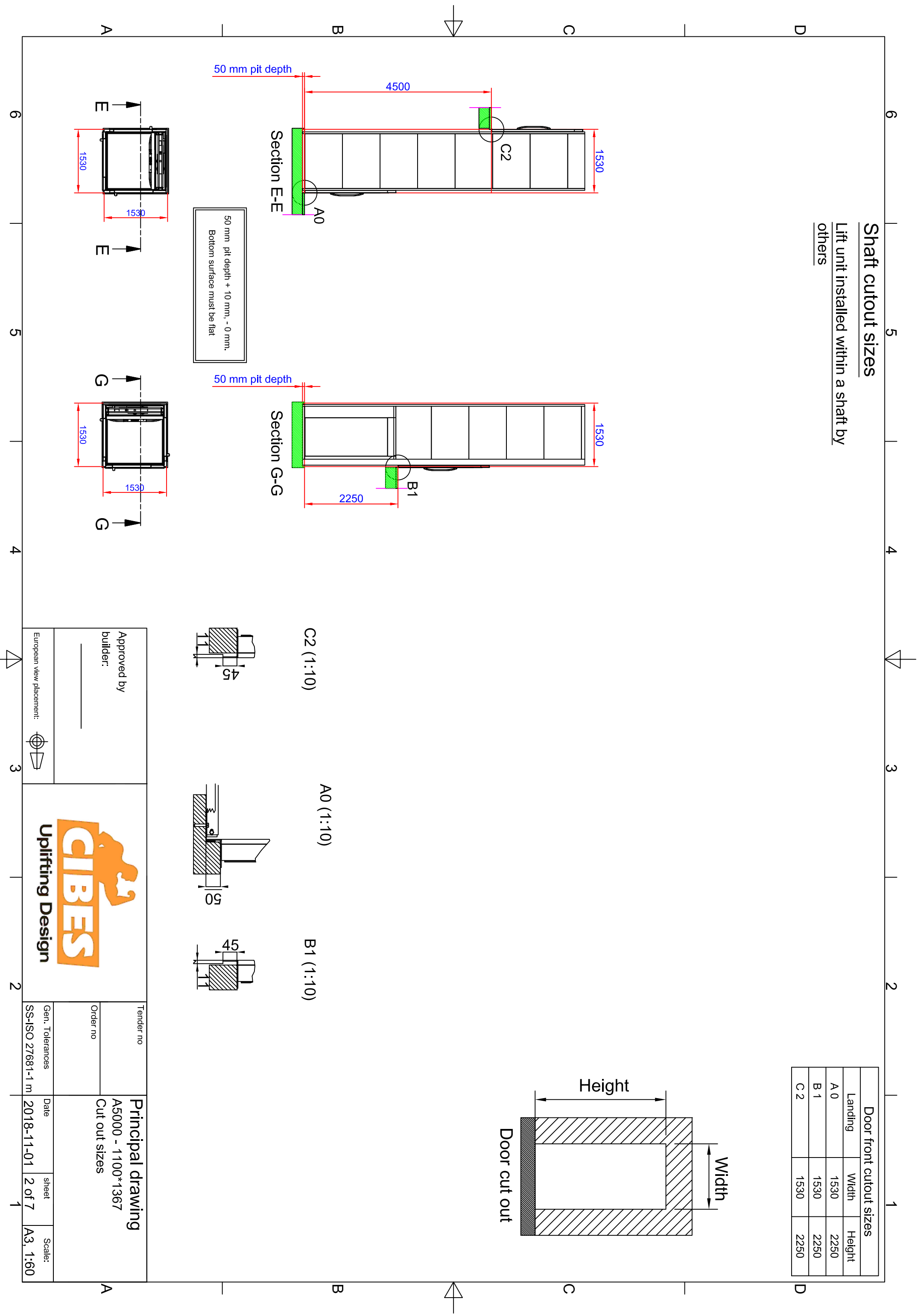
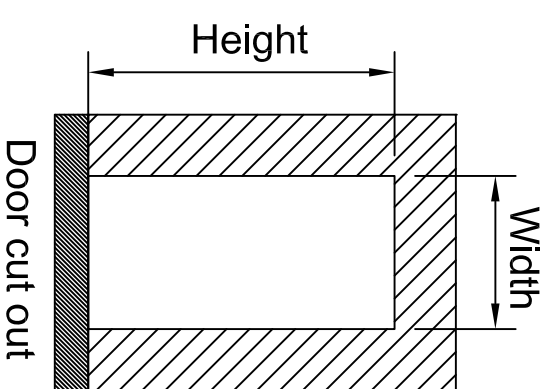
sheet  
 1 of 7

Scale:  
 A3, 1:60

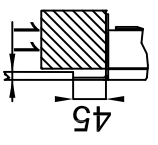
# Shaft cutout sizes

Lift unit installed within a shaft by others

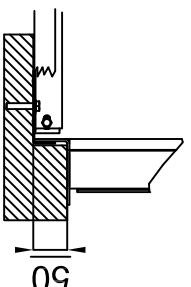
Door front cutout sizes		
Landing	Width	Height
A 0	1530	2250
B 1	1530	2250
C 2	1530	2250



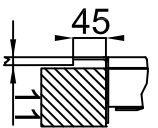
50 mm pit depth + 10 mm, - 0 mm.  
Bottom surface must be flat



C2 (1:10)



A0 (1:10)



B1 (1:10)

Approved by  
builder: \_\_\_\_\_

Tender no  
Order no  
Principal drawing  
A5000 - 1100\*1367  
Cut out sizes

European view placement:



Gen. Tolerances  
SS-ISO 27681-1 m  
Date  
2018-11-01  
sheet  
2 of 7  
Scale:  
A3, 1:60

6 5 4 3 2 1

Loads sustained by shaft and platform  
and fixing points bottom frame

Recommended positioning of fixing points.  
Loads per fixing point,  $F=250\text{ N}$

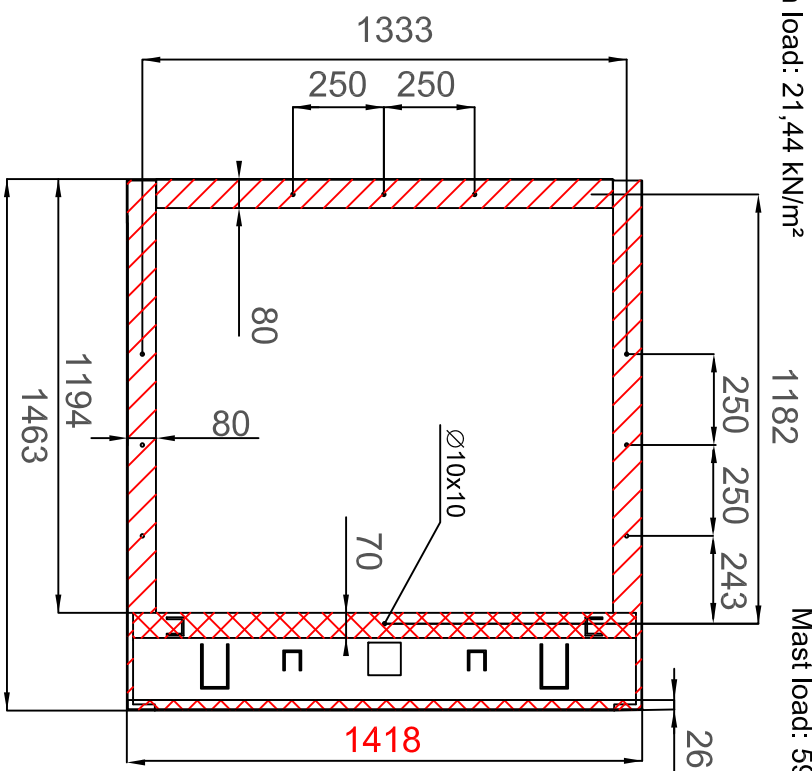
A ( 1 : 5 )



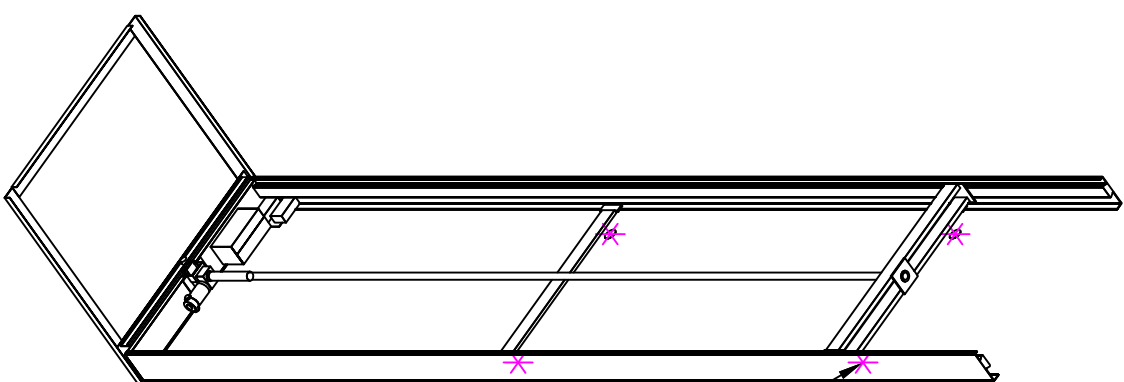
L section force: 6,54 kN  
L section load: 21,44 kN/m<sup>2</sup>



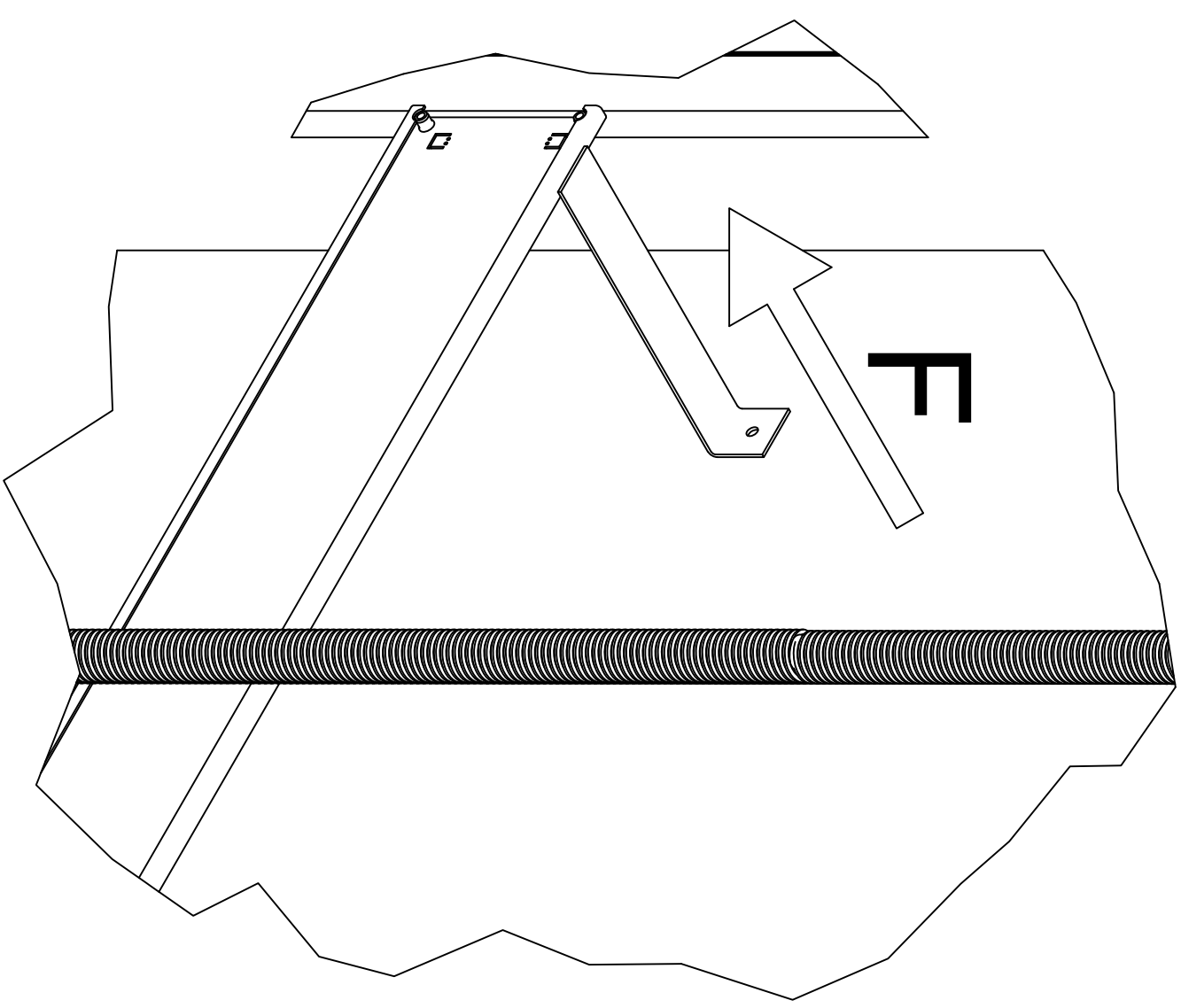
Mast force: 7,32 kN  
Mast load: 59,03 kN/m<sup>2</sup>



Scale: 1:20



Fixing points, 250 N  
See detail A



Approved by builder: _____		European view placement:	
		Tender no	Principal drawing
		Order no	A5000 - 1100*1367
Gen. Tolerances	SS-ISO 2768-1-1 m	Date	2018-11-01
sheet	3 of 7	Scale:	A3, 1:60