

50 mm pit depth

1639 Lift shaft dimension

1460 Lift shaft dimension

Fixing points, 250 N

1430

2722

2818

60

904

904

904

904

904

904

904

904

904

904

904

904

904

904

904

904

904

904

904

904

904

904

904

904

904

904

904

904

904

904

904

904

904

904

904

904

904

904

904

904

904

904

904

904

904

904

904

904

904

904

904

904

904

904

904

904

904

904

904

904

904

904

904

904

904

904

904

904

904

904

904

904

904

904

904

904

904

904

904

904

904

904

904

904

904

904

904

904

904

904

904

904

904

904

904

904

904

904

904

904

904

904

904

904

904

904

904

904

904

904

904

904

904

904

904

904

904

904

904

904

904

904

904

904

904

904

904

904

904

904

904

904

904

904

904

904

904

904

904

904

904

904

904

904

904

904

904

904

904

904

904

904

904

904

904

904

904

904

904

904

904

904

904

904

904

904

904

904

904

904

904

904

904

904

904

904

904

904

904

904

904

904

904

904

904

904

904

904

904

904

904

904

904

904

904

904

904

904

904

904

904

904

904

904

904

904

904

904

904

904

904

904

904

904

904

904

904

904

904

904

904

904

904

904

904

904

904

904

904

904

904

904

904

904

904

904

904

904

904

904

904

904

904

904

904

904

904

904

904

904

904

904

904

904

904

904

904

904

904

904

904

904

904

904

904

904

904

904

904

904

904

904

904

904

904

904

904

904

904

904

904

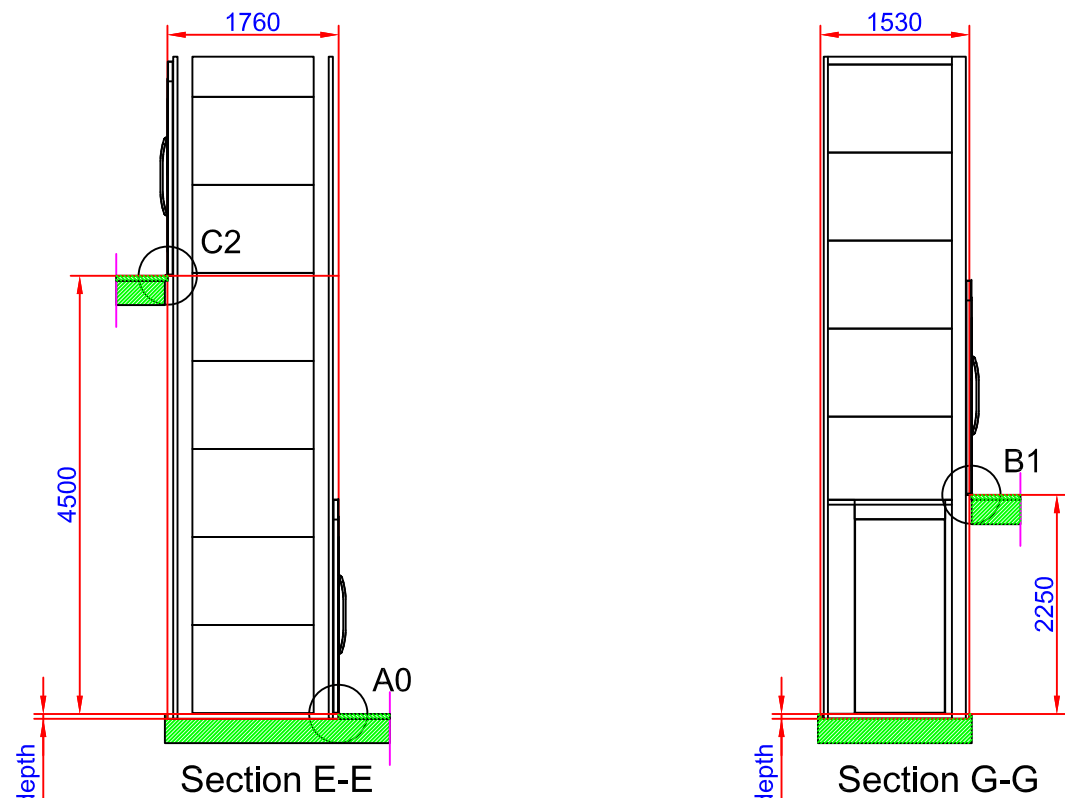
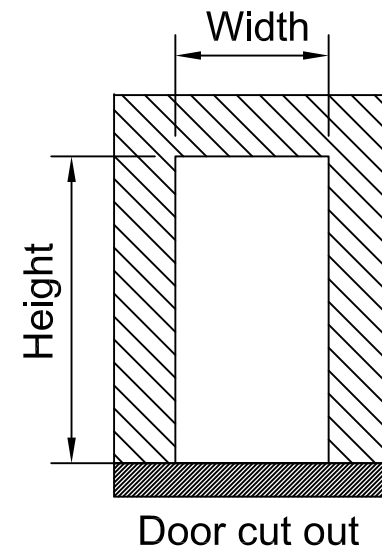
904

904

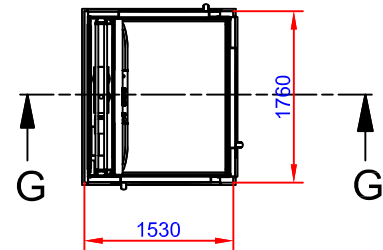
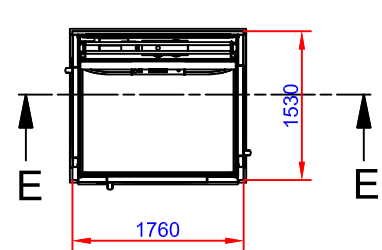
# Shaft cutout sizes

Lift unit installed within a shaft by others

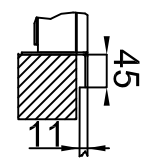
Door front cutout sizes		
Landing	Width	Height
A 0	1530	2250
B 1	1760	2250
C 2	1530	2250



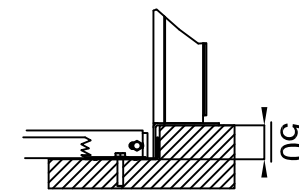
50 mm pit depth + 10 mm, - 0 mm.  
Bottom surface must be flat



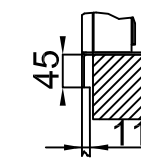
C2 (1:10)



A0 (1:10)



B1 (1:10)



Approved by  
builder:

\_\_\_\_\_

European view placement:



Tender no

Order no

Gen. Tolerances  
SS-ISO 27681-1 m

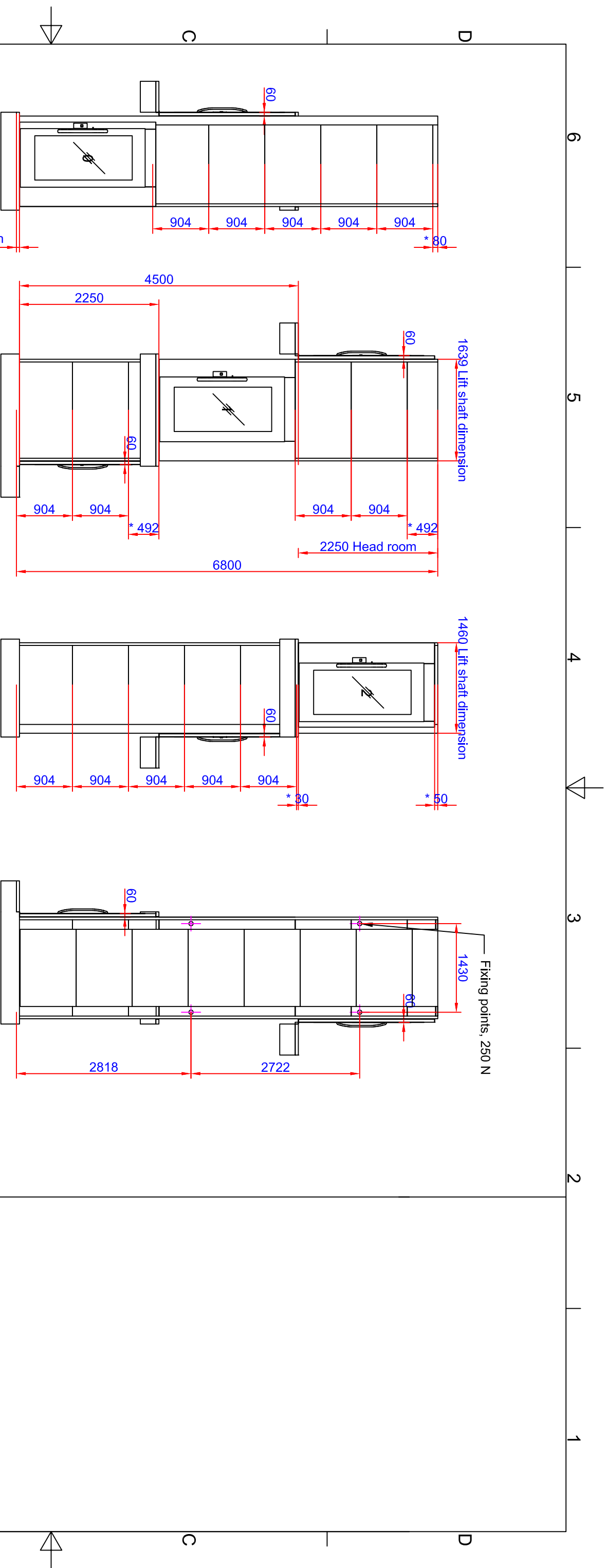
Principal drawing  
A5000 - 1100\*1597  
Cut out sizes

Date  
2018-10-31

sheet  
2 of 7

Scale:  
A3, 1:60





50 mm pit depth

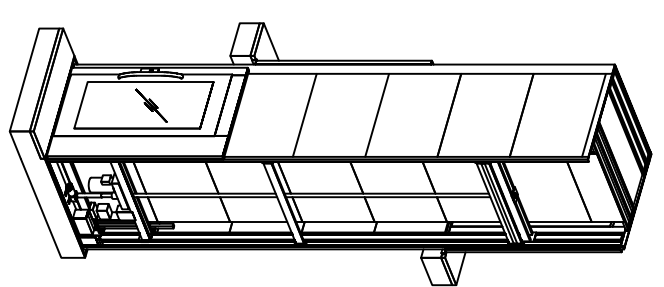
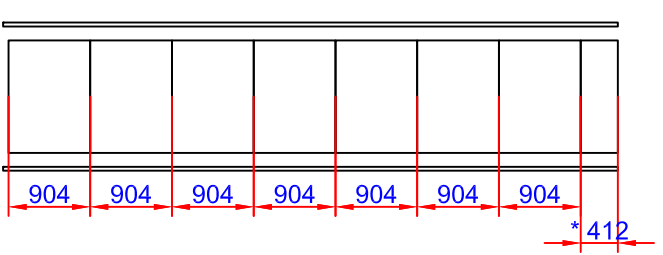
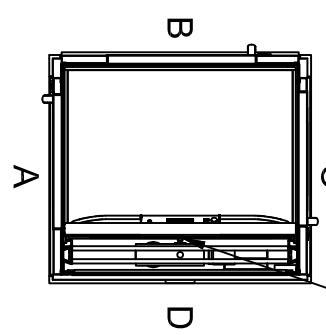
1639 Lift shaft dimension

1460 Lift shaft dimension

Fixing points, 250 N

**Positioning of machinery:**

E=Shield wall



\*To be adapted on site  
\*\*Customized panel

**Options**

Frekv 3x400V 50-60Hz 16 A Soft  
Capacity: 500,00 kg

Approved by  
builder:

European view placement:



Tender no  
Principal drawing  
A5000 - 1100\*1597  
Shaft drawing

Order no

Gen. Tolerances

SS-ISO 27681-1 m

Date

2018-10-31

sheet

1 of 7

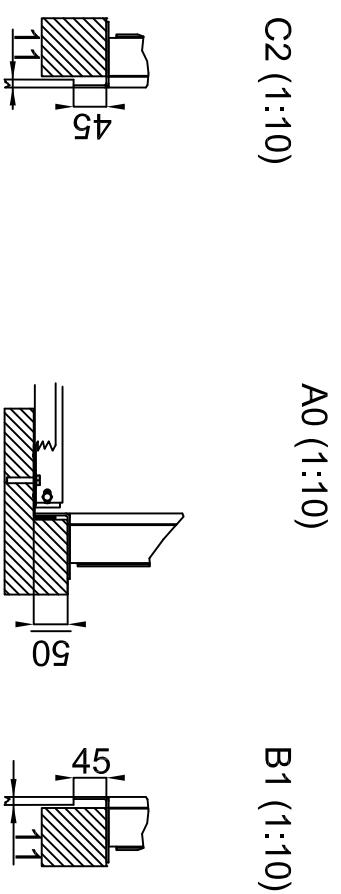
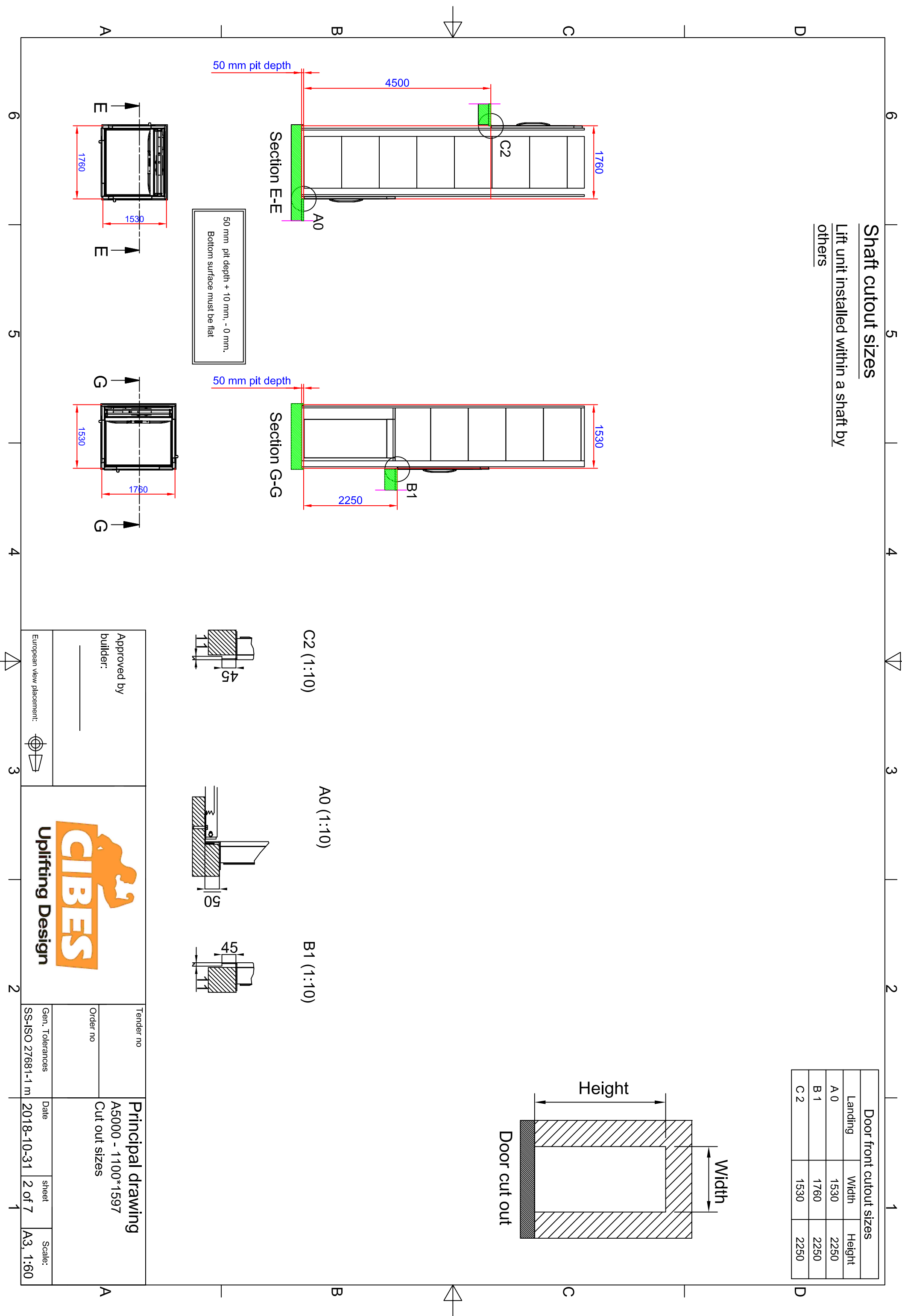
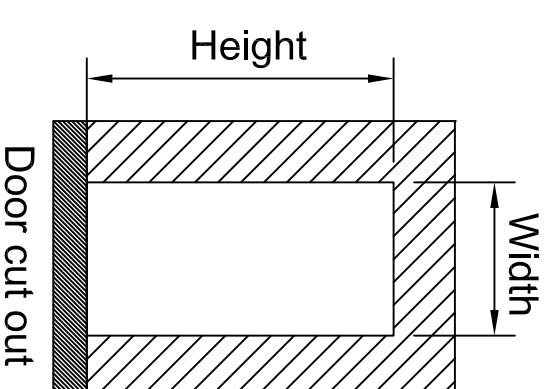
Scale:

A3, 1:60

# Shaft cutout sizes

Lift unit installed within a shaft by others

Door front cutout sizes		
Landing	Width	Height
A 0	1530	2250
B 1	1760	2250
C 2	1530	2250



Approved by  
builder:

\_\_\_\_\_

European view placement:



Tender no  
Order no  
Principal drawing  
A5000 - 1100\*1597  
Cut out sizes

Gen. Tolerances  
SS-ISO 27681-1 m  
Date  
2018-10-31  
sheet  
2 of 7  
Scale:  
A3, 1:60

Loads sustained by shaft and platform  
and fixing points bottom frame



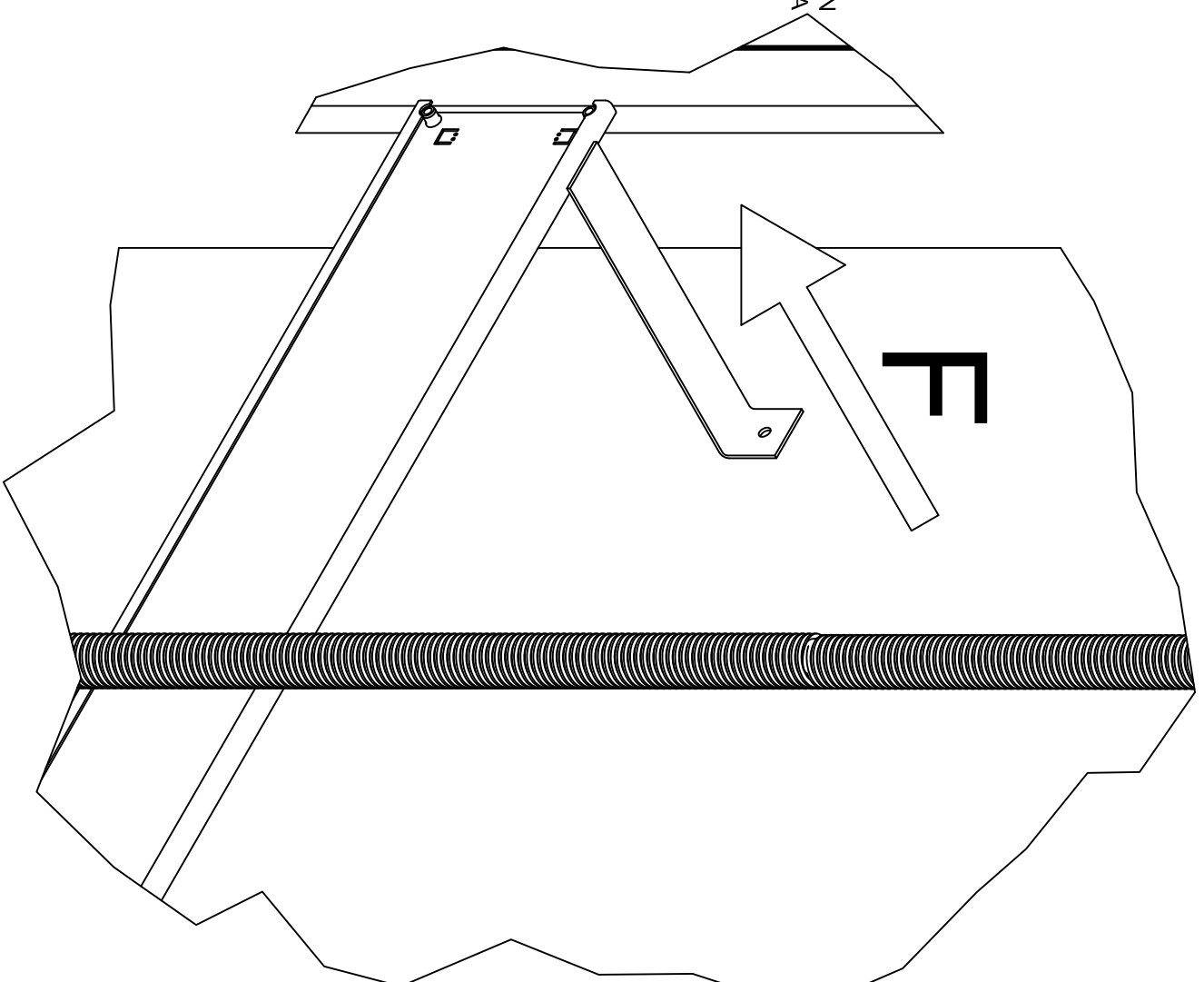
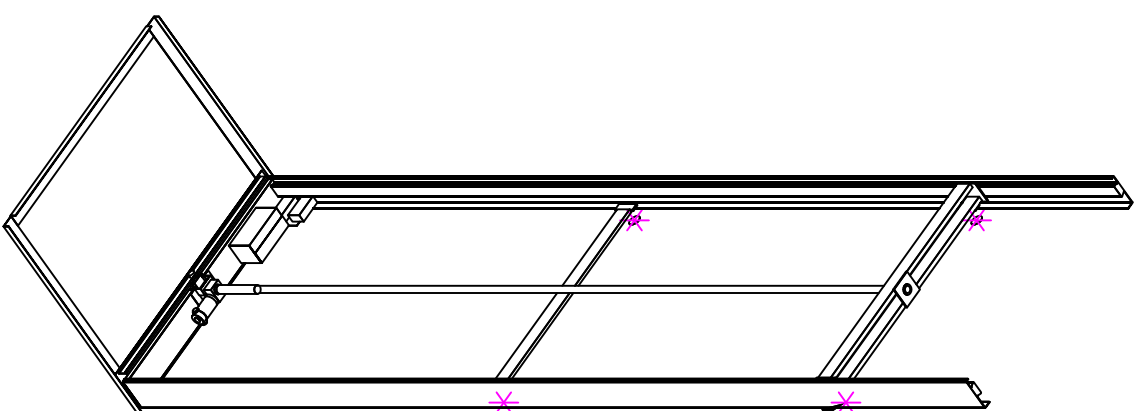
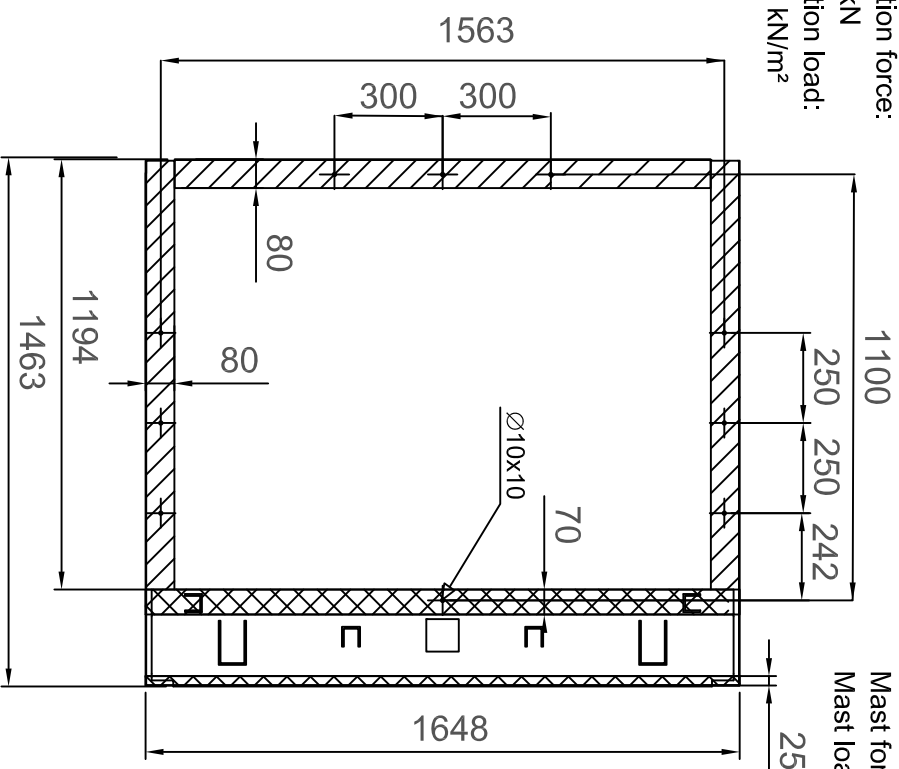
L section force:  
6,54 kN  
L section load:  
21,44 kN/m<sup>2</sup>



Mast force: 8,32 kN  
Mast load: 67,1 kN/m<sup>2</sup>

Recommended positioning of fixing points.  
Loads per fixing point, F=250 N

Scale: 1:20



A ( 1 : 5 )

A

B

C

D

6

5

4

3

2

1

A

B

C

D

6

5

4

3

2

1

Approved by  
builder:

\_\_\_\_\_

European view placement:



Tender no

Principal drawing  
A5000 - 1100\*1597  
Loads and forces

Order no

Gen. Tolerances  
SS-ISO 27681-1 m

Date

2018-10-31

sheet

3 of 7

Scale:

A3, 1:60